

cintropur®

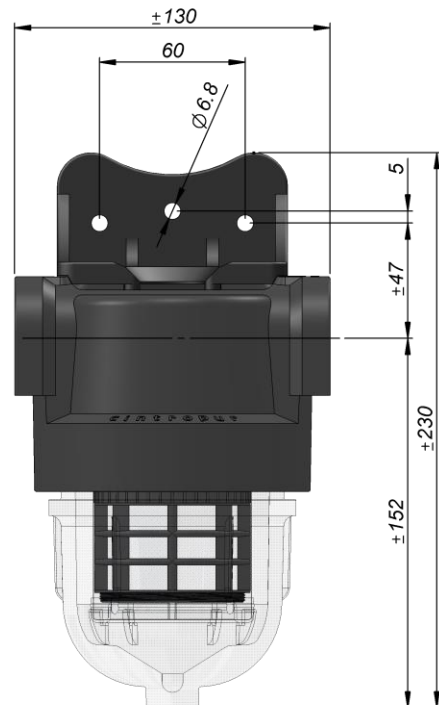
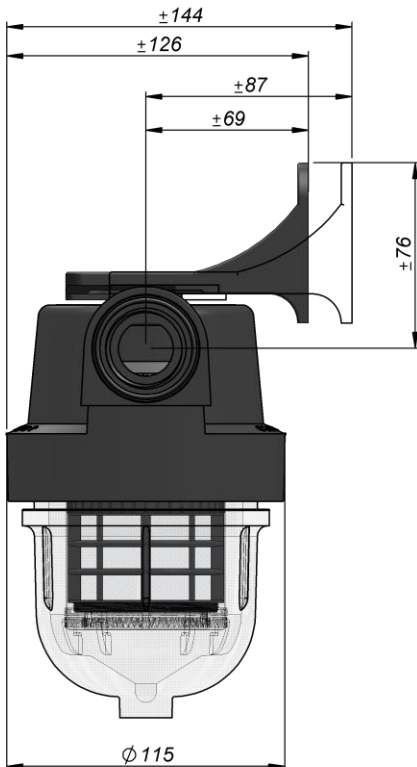
WATER FILTRATION & TREATMENT

Technical Datasheets



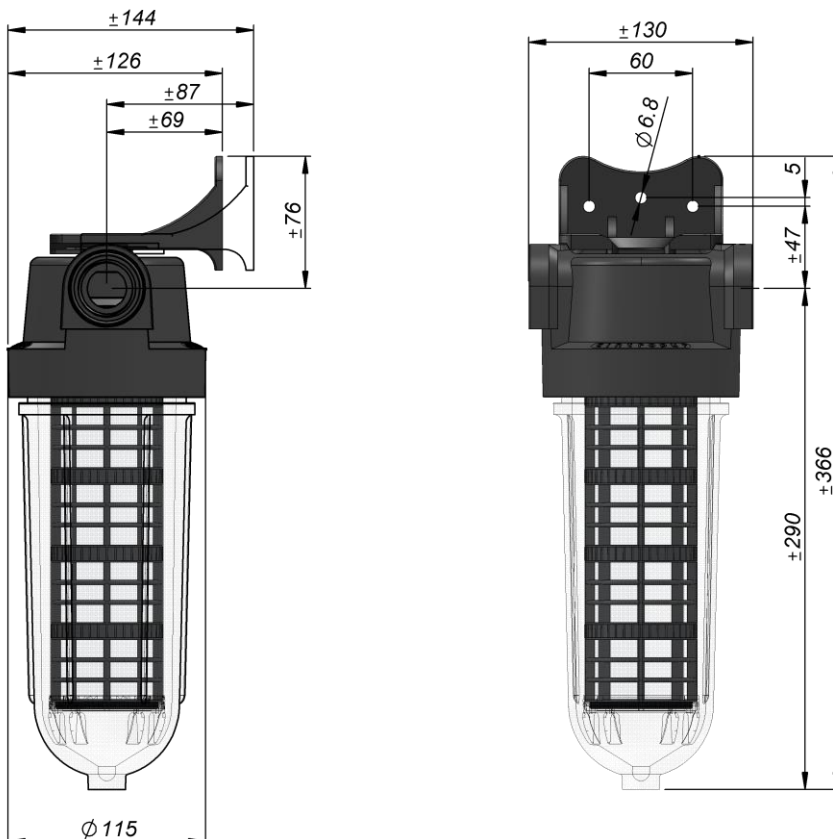


| | |
|--|--|
| Filter type: | SL160 |
| Connection diameter: | ¾ " |
| Average flow rate (m³/h): | 3 at ΔP 0,2 bar |
| Working pressure (bar): | 8 |
| Max. operating pressure (bar): | 12 |
| Max. operating temperature (°C): | 50 |
| Weight (kg): | 0,68 / 0,8 (with packaging) |
| Packaging in mm (L x W x H): | 180 x 140 x 125 |
| Quantity / pallet (units): | 336 |
| Filter head: | Polypropylene (PP) |
| Bowl: | SAN |
| Filtering support: | PP + 20% GF |
| Wrench: | ABS |
| Seals: | O-ring butadiene-acrylonitrile (NBR) |
| Centrifugal vane + cap: | Polyethylene (PE) |
| Filtering sleeve: | Polyester |
| Filtration surface (cm²): | 170 |
| Original equipment: | Filtering sleeve 25 µm, wrench, wall fixation in PP + 30% GF |
| Filtering fineness available (µm): (packs of 5 sleeves) | Non-washable: 5 - 10 - 25 - 50 - 100 |



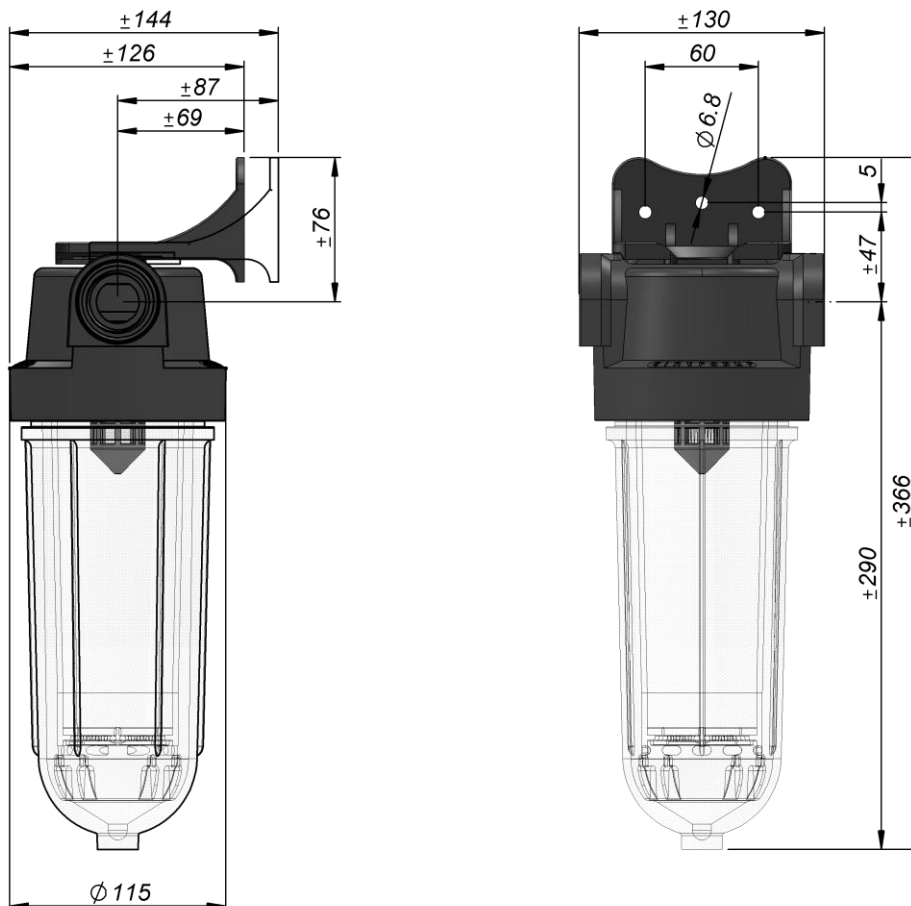


| | |
|------------------------------------|--|
| Filter type: | SL240 |
| Connection diameter: | ¾" or 1" |
| Average flow rate (m³/h): | 3,5 (¾") – 4,5 (1") at ΔP 0,2 bar |
| Working pressure (bar): | 8 |
| Max. operating pressure (bar): | 12 |
| Max. operating temperature (°C): | 50 |
| Weight (kg): | 0,9 / 1,05 (with packaging) |
| Packaging in mm (L x W x H): | 320 x 130 x 130 |
| Quantity / pallet (units): | 171 |
| Filter head: | Polypropylene (PP) |
| Bowl: | SAN |
| Filtering support: | PP + 20 % GF |
| Seals: | O-ring butadiene-acrylonitrile (NBR) |
| Centrifugal vane + cap: | Polyethylene (PE) |
| Filtering sleeve: | Polyester (non washable) or nylon (washable) |
| Wrench: | ABS |
| Filtration surface (cm²): | 440 |
| Original equipment: | Filtering sleeve 25 µm, wrench, wall fixation in PP + 30% GF |
| Filtering fineness available (µm): | Non-washable : 1 - 5 - 10 - 25 - 50 - 100 |
| (packs of 5 sleeves) | Washable : 150 - 300 |



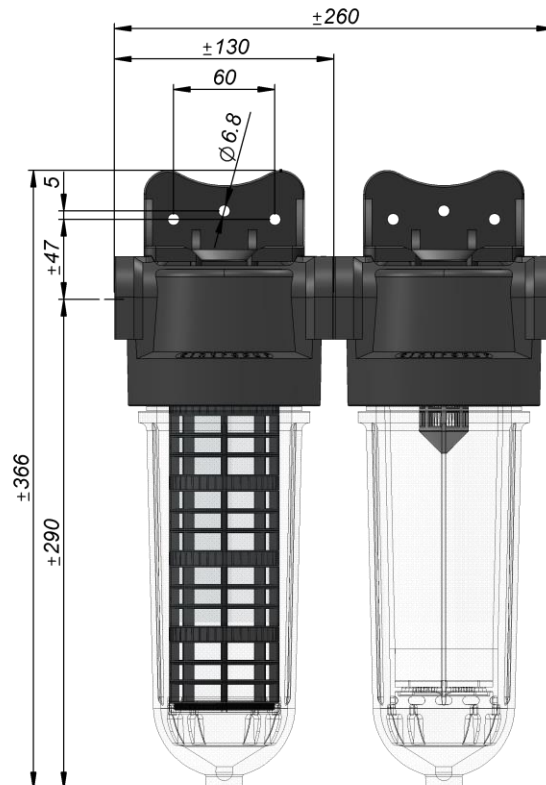
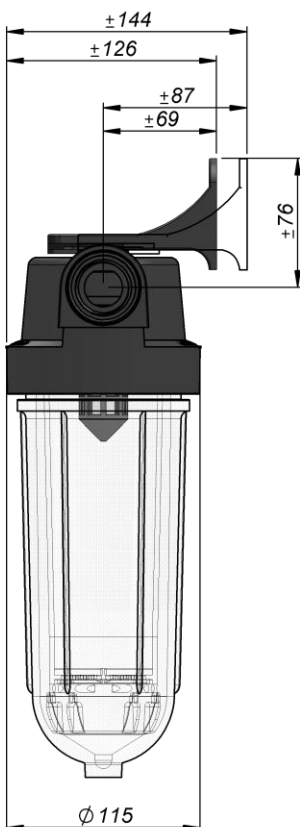


| | |
|-------------------------------------|---|
| Filter type: | SL240 TE-CTN |
| Connection diameter: | ¾" or 1" |
| Average flow rate (m³/h): | 0,5 at ΔP 0,2 bar |
| Working pressure (bar): | 8 |
| Max. operating pressure (bar): | 12 |
| Max. operating temperature (°C): | 50 |
| Weight (kg): | 1,23 / 1,42 (with packaging) |
| Packaging in mm (L x W x H): | 320 x 130 x 130 |
| Quantity / pallet (units): | 171 |
| Filter head: | Polypropylene (PP) |
| Bowl: | SAN |
| Wrench: | ABS |
| Seals: | O-ring butadiene-acrylonitrile (NBR) |
| CTN container capacity (litres): | 0,57 |
| CTN container for activated carbon: | SAN (body) 0,6 mm + PP with 20% GF (cap) 0,3mm |
| Original equipment: | CTN filled with activated carbon, wrench, wall fixation in PP + 30% GF |



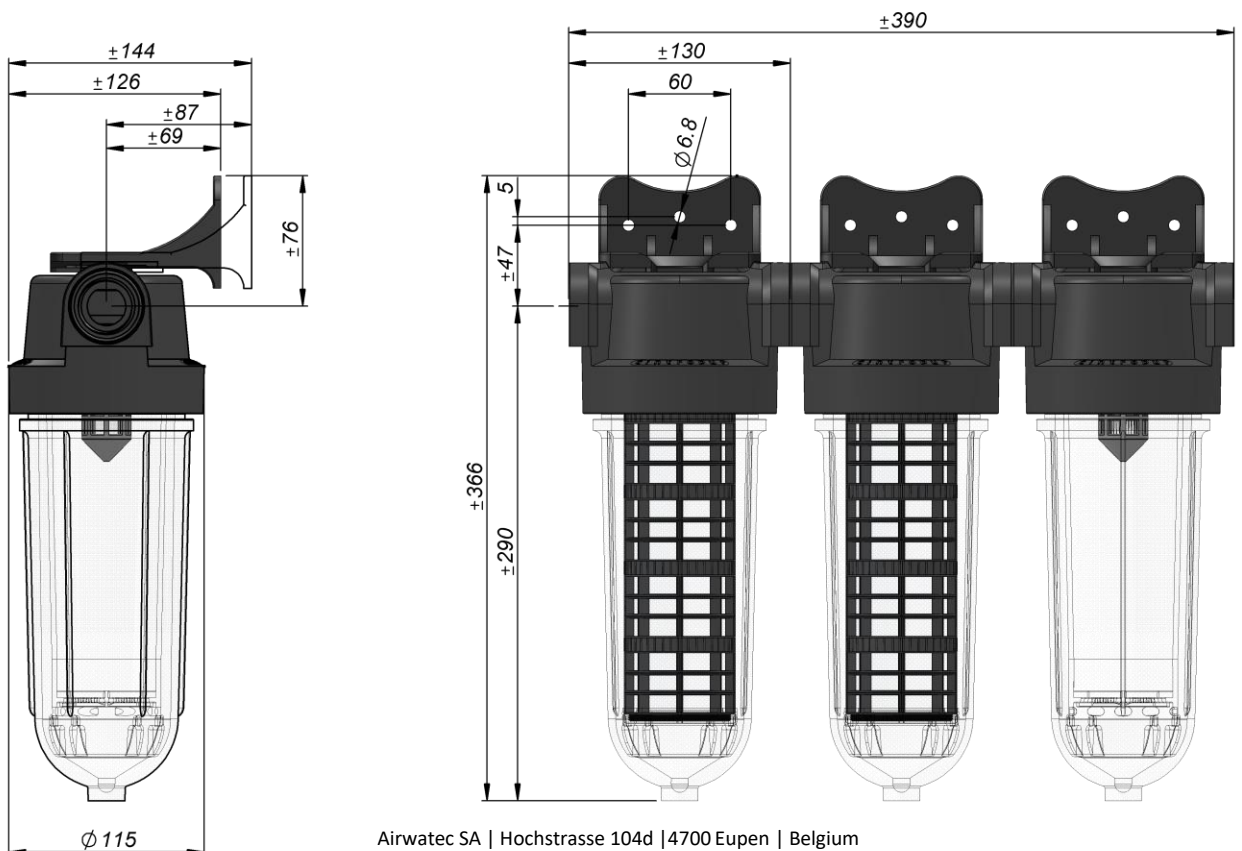


| | |
|-------------------------------------|---|
| Filter type: | SL240 DUO-CTN |
| Connection diameter: | ¾" or 1" |
| Average flow rate (m³/h): | 0,5 at ΔP 0,2 bar |
| Working pressure (bar): | 8 |
| Max. operating pressure (bar): | 12 |
| Max. operating temperature (°C): | 50 |
| Weight (kg): | 1,85 / 2,37 (with packaging) |
| Packaging in mm (L x W x H): | 320 x 261 x 118 |
| Quantity / pallet (units): | 72 |
| Filter head: | Polypropylene (PP) |
| Bowl: | SAN |
| Wrench: | ABS |
| Filtering support: | PP + 20% GF |
| Seals: | O-ring butadiene-acrylonitrile (NBR) |
| Centrifugal vane + cap: | Polyethylene (PE) |
| Filtering sleeve: | Polyester (non-washable) or nylon (washable) |
| Filtration surface + capacity: | 440 cm² with sleeve + 0,57L with activated carbon |
| CTN container for activated carbon: | SAN (corps) 0,6 mm + PP avec 20% GF (couvercle) 0,3mm |
| Original equipment: | Filtering sleeve 25 µm, CTN filled with activated carbon, wrench, 2 wall fixations in PP + 30% GF |
| Filtering fineness available (µm): | Non-washable : 1 - 5 - 10 - 25 - 50 - 100 |
| (packs of 5 sleeves) | Washable : 150 - 300 |



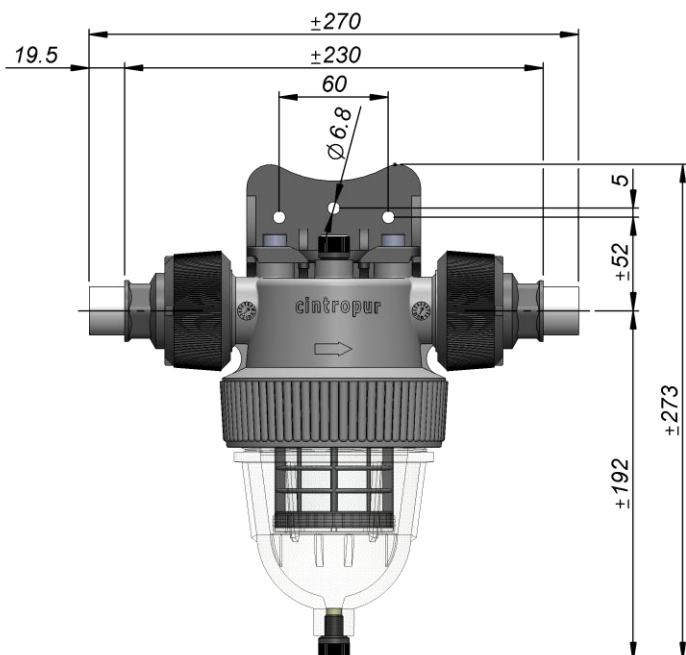
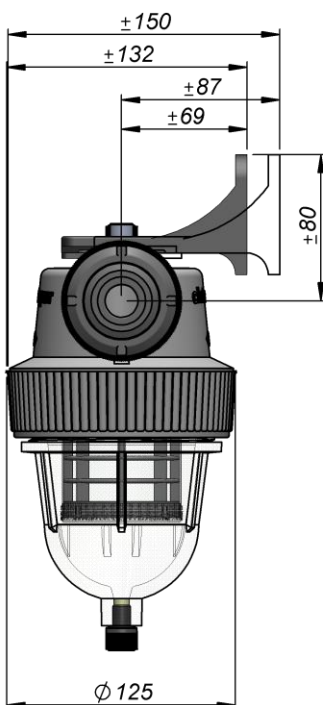


| | |
|-------------------------------------|--|
| Filter type: | SL240 TRIO-CTN |
| Connection diameter: | 3/4" or 1" |
| Average flow rate (m³/h): | 0,5 at ΔP 0,2 bar |
| Working pressure (bar): | 8 |
| Max. operating pressure (bar): | 12 |
| Max. operating temperature (°C): | 50 |
| Weight (kg): | 3,05 / 3,33 (with packaging) |
| Packaging in mm (L x W x H): | 390 x 320 x 118 |
| Quantity / pallet (units): | 54 |
| Filter head: | Polypropylene (PP) |
| Bowl: | SAN |
| Filtering support: | PP + 20% GF |
| Seals: | O-ring butadiene-acrylonitrile (NBR) |
| Centrifugal vane + cap: | Polyethylene (PE) |
| Wrench: | ABS |
| Filtering sleeve: | Polyester (non-washable) or nylon (washable) |
| Filtration surface + capacity: | 440 cm² with sleeve + 0,57L with activated carbon |
| CTN container for activated carbon: | SAN (body) 0,6 mm + PP with 20% GF (cap) 0,3mm |
| Original equipment: | Filtering sleeve 100 μm + 25 μm, CTN filled with activated carbon, wrench, wall fixations in PP + 30% GF |
| Filtering fineness available (μm): | Non-washable : 1 - 5 - 10 - 25 - 50 - 100 |
| (packs of 5 sleeves) | Washable : 150 - 300 |



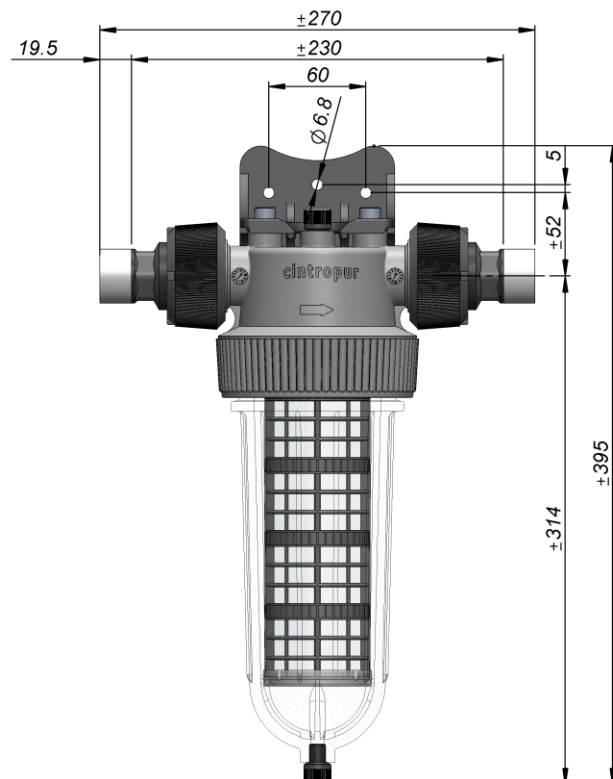
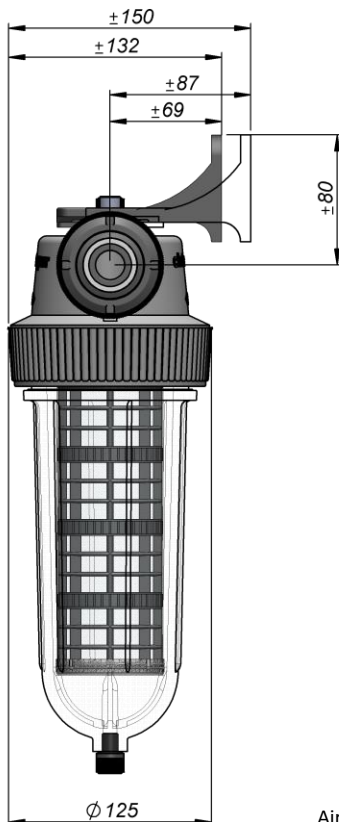


| | |
|--|--|
| Filter type: | NW18 |
| Connection diameter: | 3/4" |
| Average flow rate (m³/h): | 3,5 at ΔP 0,2 bar |
| Working pressure (bar): | 10 |
| Max. operating pressure (bar): | 16 |
| Max. operating temperature (°C): | 50 |
| Weight (kg): | 1,1 / 1,5 (with packaging) |
| Packaging in mm (L x W x H): | 260 x 193 x 183 |
| Quantity / pallet (units): | 96 |
| Filter head: | Polypropylene (PP) + 20% GF |
| Bowl: | SAN |
| Filtering support: | PP + 20 % GF |
| Seals: | O-ring butadiene-acrylonitrile (NBR) |
| Centrifugal vane + cap: | Polyethylene (PE) |
| Drain screw: | Polyamide (PA) + polyester (2K) |
| Wrench: | ABS |
| Filtering sleeve: | Polyester |
| Filtration surface (cm²): | 190 |
| Original equipment: | Filtering sleeve 25 µm, wrench+ 2 connections 3/4" |
| Options: | Wall fixation in PP + 30% GF, drain-cock 1/4" made of nickel-plated brass and pressure gauges 1/8" made of brass |
| Filtering fineness available (µm): (packs of 5 sleeves) | Non-washable : 5 - 10 - 25 - 50 - 100 |



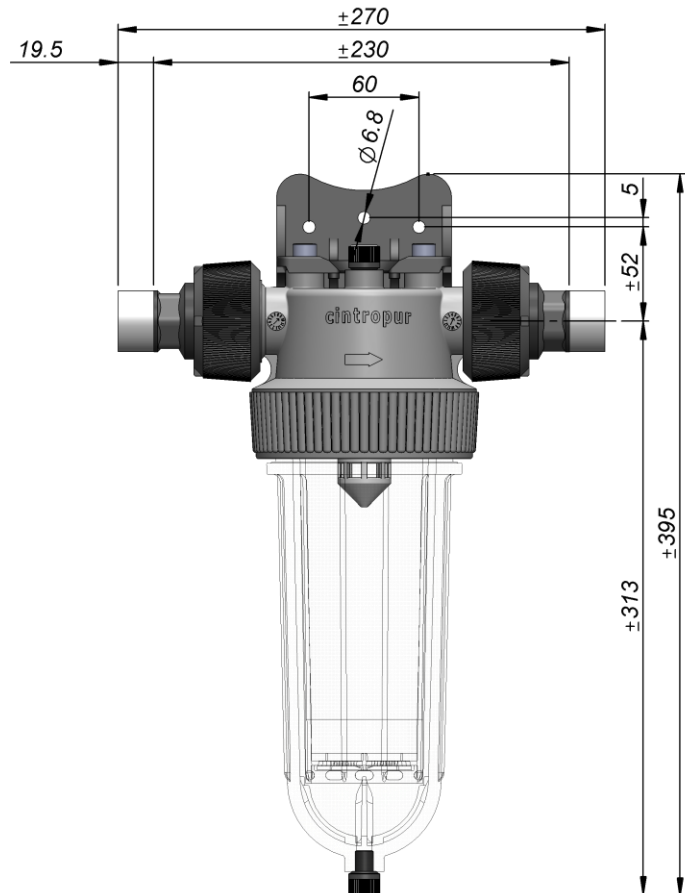
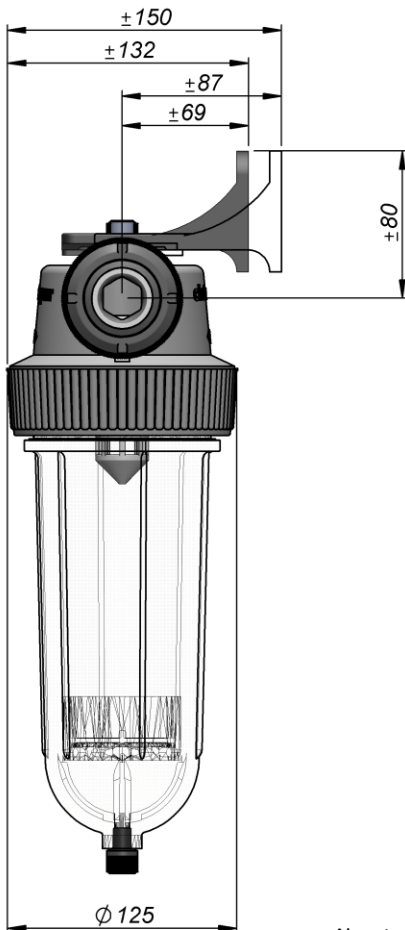


| | |
|------------------------------------|--|
| Filter type: | NW25 |
| Connection diameter: | ¾" or 1" |
| Average flow rate (m³/h): | 5,5 at ΔP 0,2 bar |
| Working pressure (bar): | 10 |
| Max. operating pressure (bar): | 16 |
| Max. operating temperature (°C): | 50 |
| Weight (kg): | 1,23 / 1,65 (with packaging) |
| Packaging in mm (L x W x H): | 385 x 160 x 140 |
| Quantity / pallet (units): | 112 |
| Filter head: | Polypropylene (PP) + 20% GF |
| Bowl: | SAN |
| Wrench: | ABS |
| Seals: | O-ring butadiene-acrylonitrile (NBR) |
| Centrifugal vane + cap: | Polyethylene (PE) |
| Drain screw: | Polyamide (PA) + Polyester (2K) |
| Filtering support: | PP + 20% GF |
| Filtering sleeve: | Polyester (non-washable) or nylon (washable) |
| Filtration surface (cm²): | 450 |
| Original equipment: | Filtering sleeve 25 µm, wrench, 2 connections ¾" or 1" |
| Options: | Wall fixation in PP + 30% GF, drain-cock ¼" made of nickel-plated brass and pressure gauges 1/8" made of brass |
| Filtering fineness available (µm): | Non-washable : 1 - 5 - 10 - 25 - 50 - 100 |
| (packs of 5 sleeves) | Washable : 150 - 300 |



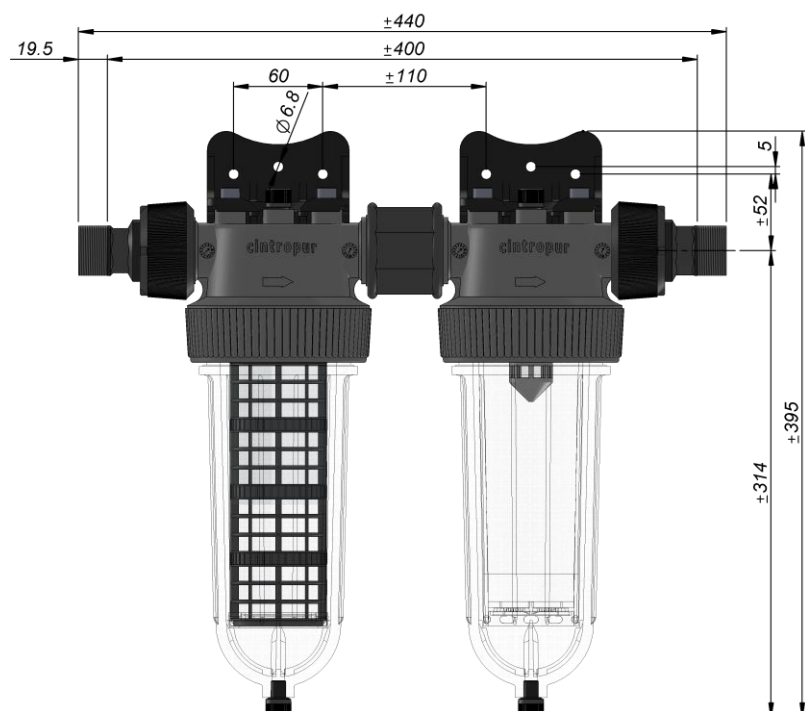
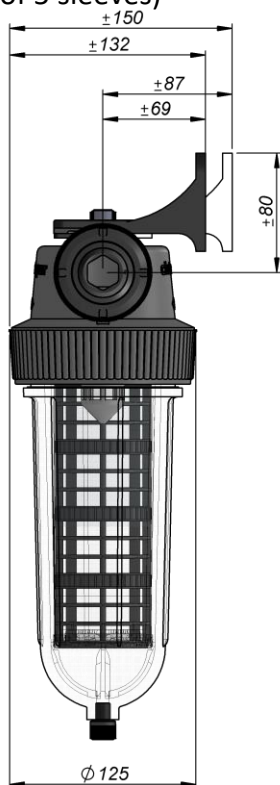


| | |
|-------------------------------------|--|
| Filter type: | NW25 TE-CTN |
| Connection diameter: | 1" |
| Average flow rate (m³/h): | 0,5 at ΔP 0,2 bar |
| Working pressure (bar): | 10 |
| Max. operating pressure (bar): | 16 |
| Max. operating temperature (°C): | 50 |
| Weight (kg): | 1,3 / 1,8 (with packaging) |
| Packaging in mm (L x W x H): | 385 x 160 x 140 |
| Quantity / pallet (units): | 112 |
| Filter head: | Polypropylene (PP) + 20% GF |
| Bowl: | SAN |
| Wrench: | ABS |
| Seals: | O-ring butadiene-acrylonitrile (NBR) |
| Drain screw: | Polyamide (PA) + Polyester (2K) |
| CTN container capacity (litres): | 0,57 |
| CTN container for activated carbon: | SAN (body) 0,6 mm + PP with 20% GF (cap) 0,3mm |
| Original equipment: | empty CTN + wrench + 2 connections 1" |
| Option: | Wall fixation in PP + 30% GF |



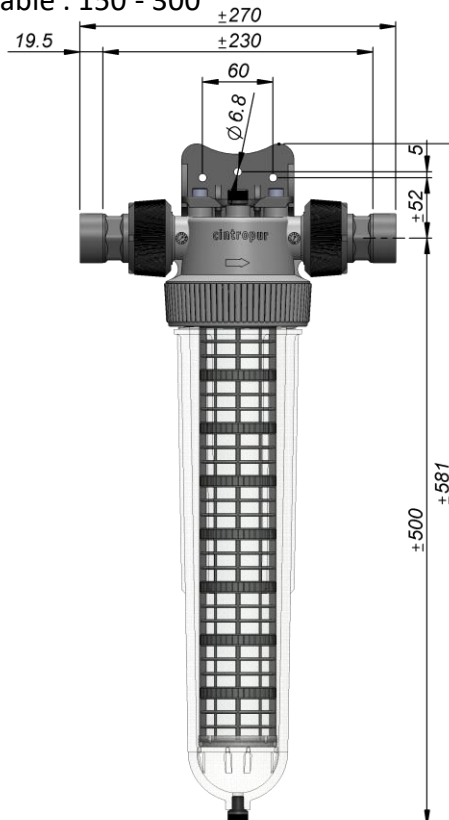
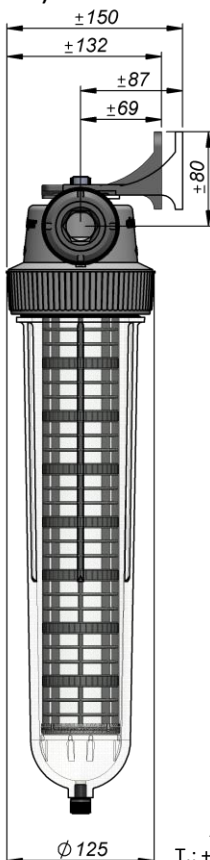


| | |
|-------------------------------------|--|
| Filter type: | NW25 DUO-CTN |
| Connection diameter: | ¾" and 1" |
| Average flow rate(m³/h): | 0,5 at ΔP 0,2 bar |
| Working pressure (bar): | 10 |
| Max. operating pressure (bar): | 16 |
| Max. operating temperature (°C): | 50 |
| Weight (kg): | 3,2 / 3,7 (with packaging) |
| Packaging in mm (L x W x H): | 380 x 330 x 135 |
| Quantity / pallet (units): | 54 |
| Filter head: | Polypropylene (PP) + 20% GF |
| Bowl: | SAN |
| Wrench: | ABS |
| Seals: | O-ring butadiene-acrylonitrile (NBR) |
| Centrifugal vane + cap: | Polyethylene (PE) |
| Drain screw: | Polyamide (PA) + Polyester (2K) |
| Filtering support: | PP + 20% GF |
| Filtering sleeve: | Polyester (non-washable) or nylon (washable) |
| CTN container for activated carbon: | SAN (body) 0,6 mm + PP with 20% GF (cap) 0,3mm |
| Filtration surface / capacity: | 440 cm² with sleeve + 0,57 L activated carbon |
| Original equipment: | Sleeve 25 µm, CTN filled with activated carbon, 1 wrench, 2 wall fixations PP + 30% GF + 2 connections ¾" + 2 connections 1" drain-cock ¼" made of nickel-plated brass, pressure gauges 1/8" made of brass |
| Options: | |
| Filtering fineness available (µm): | Non-washable : 1 - 5 - 10 - 25 - 50 - 100 |
| (packs of 5 sleeves) | Washable : 150 - 300 |

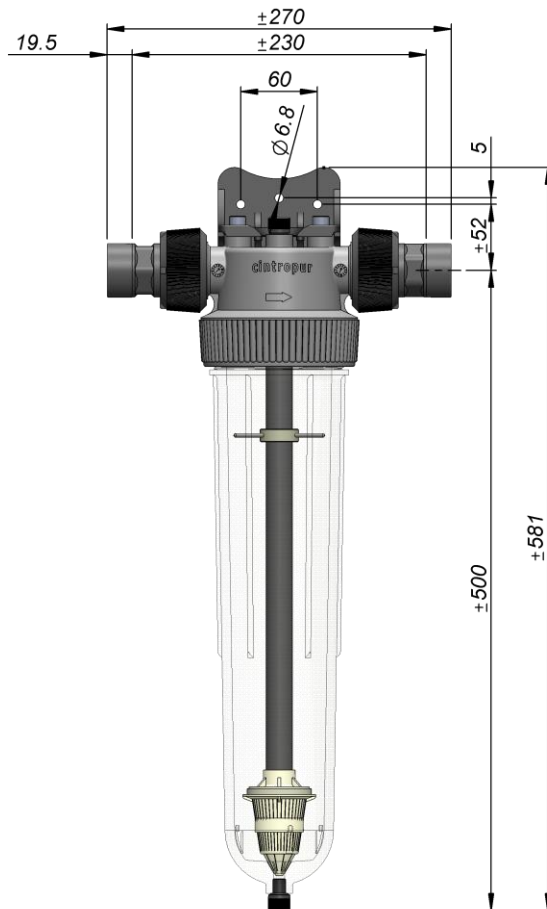
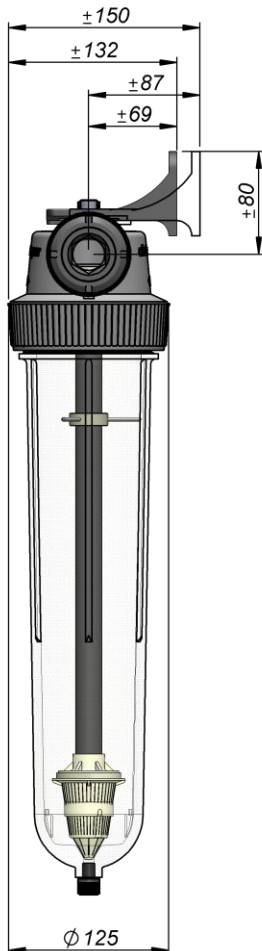




| | |
|------------------------------------|--|
| Filter type: | NW32 |
| Connection diameter: | 1 ¼ " |
| Average flow rate (m³/h): | 6,5 at ΔP 0,2 bar |
| Working pressure (bar): | 10 |
| Max. operating pressure (bar): | 16 |
| Max. operating temperature (°C): | 50 |
| Weight (kg): | 2,1 / 2,3 (with packaging) |
| Packaging in mm (L x W x H): | 560 x 165 x 140 |
| Quantity / pallet (units): | 64 |
| Filter head: | Polypropylene (PP) + 20% GF |
| Bowl: | SAN |
| Wrench: | ABS |
| Filtering support: | PP + 20% GF |
| Seals: | O-ring butadiene-acrylonitrile (NBR) |
| Centrifugal vane + cap: | Polyethylene (PE) |
| Drain screw: | Polyamide (PA) + Polyester (2K) |
| Filtering sleeve: | Polyester (non-washable) or nylon (washable) |
| Filtration surface (cm²): | 840 |
| Original equipment: | Filtering sleeve 25 µm, wrench, 2 connections 1 ¼ " |
| Options: | Wall fixation in PP + 30% GF, drain-cock ¼ " made of nickel-plated brass, pressure gauges 1/8" made of brass |
| Filtering fineness available (µm): | Non-washable : 1 - 5 - 10 - 25 - 50 - 100 |
| (packs of 5 sleeves) | Washable : 150 - 300 |

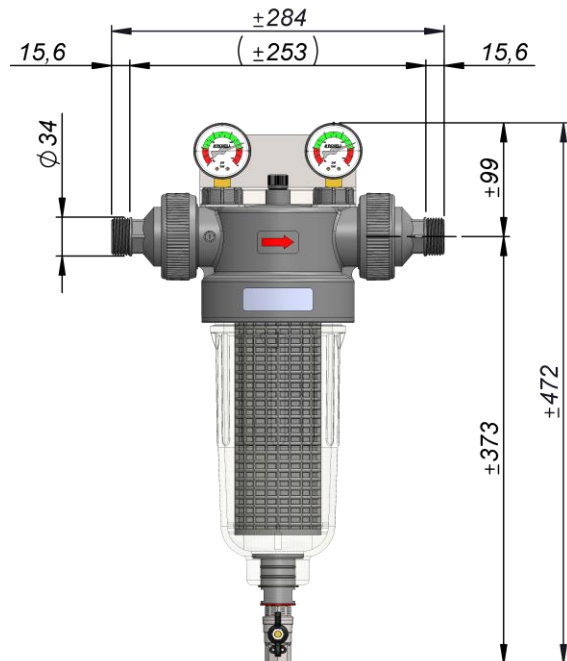
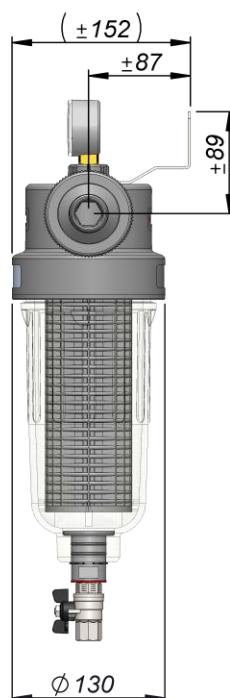
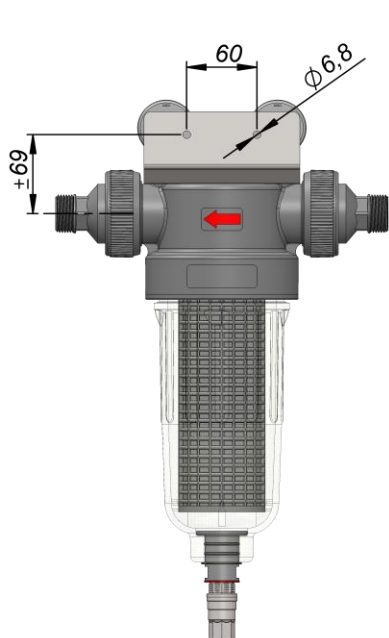


| | |
|----------------------------------|--|
| Filter type: | NW32TE |
| Connection diameter: | 1 ¼" |
| Average flow rate (m³/h): | 0,5 at ΔP 0,2 bar |
| Working pressure (bar): | 10 |
| Max. operating pressure (bar): | 16 |
| Max. operating temperature (°C): | 50 |
| Weight (kg): | 2,1 / 2,4 (with packaging) |
| Packaging in mm (L x W x H): | 560 x 165 x 140 |
| Quantity / pallet (units): | 64 |
| Filter head: | Polypropylene (PP) + 20% GF |
| Bowl: | SAN |
| Wrench: | ABS |
| Seals: | O-ring butadiene-acrylonitrile (NBR) |
| Drain screw: | Polyamide (PA) + Polyester (2K) |
| Bowl capacity (litres): | 1,7 |
| Tube + strainer: | Stainless steel sheet – inlet 1,1 mm & strainer – inlet 0,3 mm |
| Original equipment: | Tube + strainer, wrench + 2 connections 1 ¼" |
| Option: | Wall fixation in PP + 30% GF |

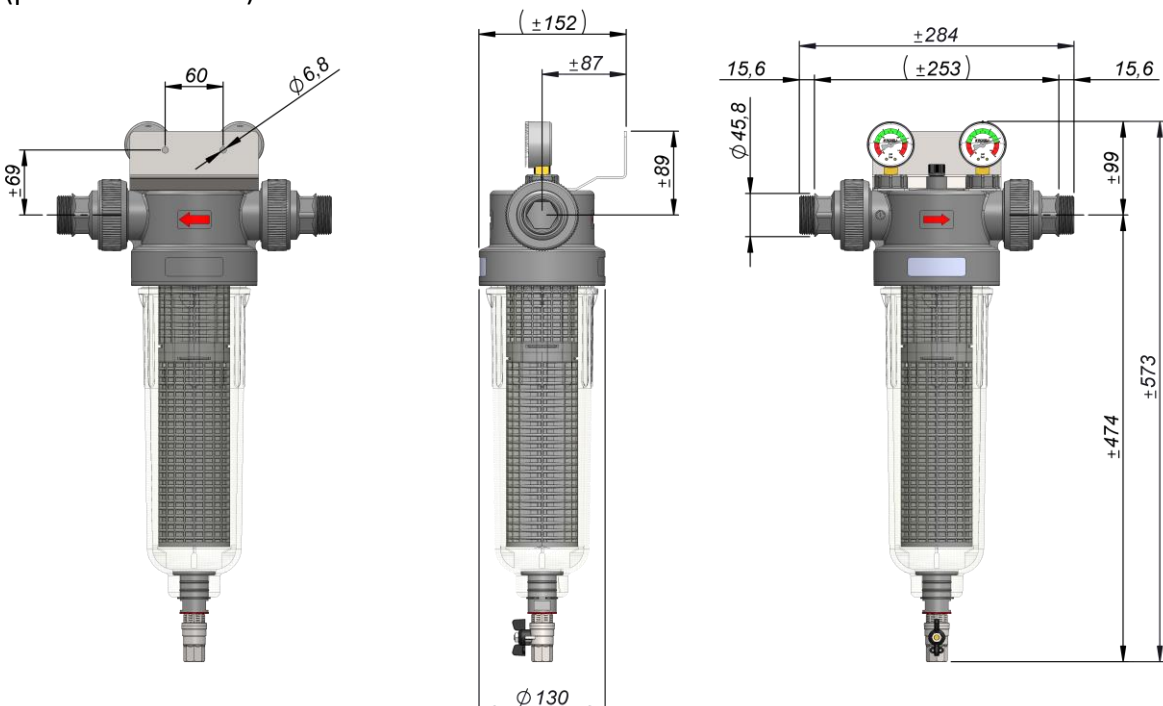




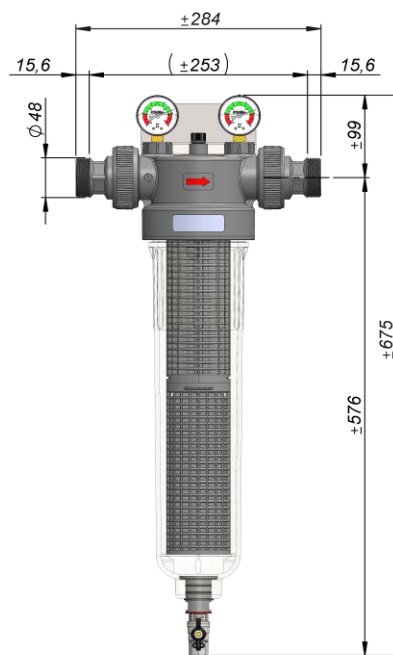
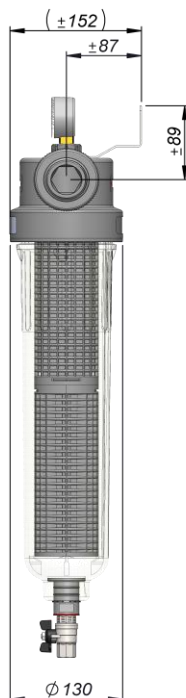
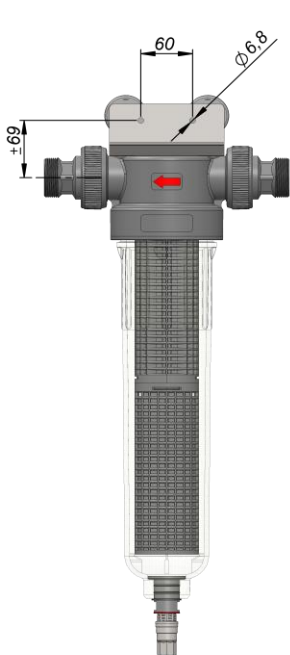
| | |
|--|---|
| Filter type: | NW280 |
| Connection diameter: | 1" |
| Average flow rate (m ³ /h): | 7 at ΔP 0,2 bar |
| Working pressure (bar): | 10 |
| Max. operating pressure (bar): | 16 |
| Max. operating temperature (°C): | 50 |
| Weight (kg): | 2,2 / 2,7 (with packaging) |
| Packaging in mm (L x W x H): | 445 x 180 x 180 |
| Quantity / pallet (units): | 63 |
| Filter head: | Polypropylene (PP) + 20% GF |
| Connections + nuts: | PP + 20% GF |
| Bowl: | PET |
| Wrench: | ABS |
| Filtering support: | PP + 20 % GF |
| Seals: | O-ring butadiene-acrylonitrile (NBR) |
| Centrifugal vane + cap: | Polypropylene (PP) + elastomer (2K) |
| Air drain screw: | Polyamide (PA) + polyester (2K) |
| Filtering sleeve: | Polyester (non-washable) or nylon (washable) |
| Filtration surface (cm ²): | 530 |
| Original equipment: | Filtering sleeve 25 μm, wrench, drain-cock ½ " nickel-plated brass, 2 pressure gauges with glycerine 0-20 bar ¼" brass + 2 connections 1" |
| Option: | Stainless steel wall fixation 2 mm |
| Filtering fineness available (μm): | Non-washable : 1 - 5 - 10 - 25 - 50 - 100 |
| (packs of 5 sleeves) | Washable : 150 - 300 |



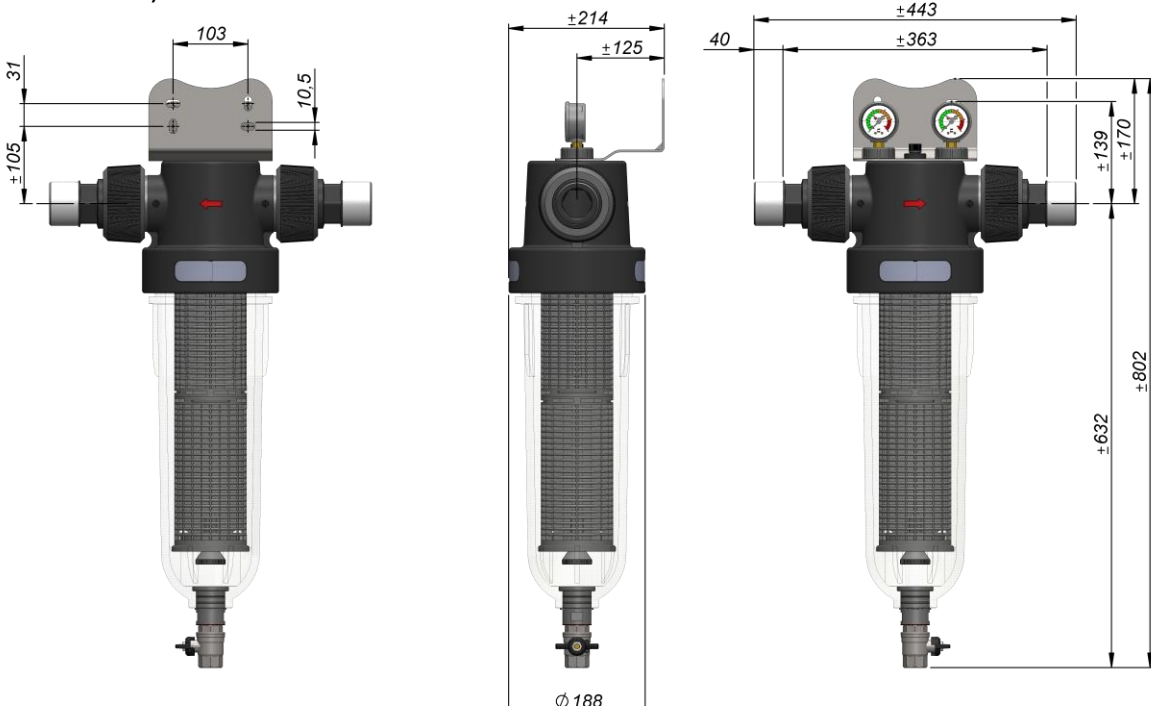
| | |
|------------------------------------|--|
| Filter type: | NW340 |
| Connection diameter: | 1 ¼" |
| Average flow rate (m³/h): | 10 at ΔP 0,2 bar |
| Working pressure (bar): | 10 |
| Max. operating pressure (bar): | 16 |
| Max. operating temperature (°C): | 50 |
| Weight (kg): | 2,66 / 3,18 (with packaging) |
| Packaging in mm (L x W x H): | 545 x 180 x 180 |
| Quantity / pallet (units): | 56 |
| Filter head: | Polypropylene (PP) + 20% GF |
| Connections: | PA |
| Nuts: | PP + 20% GF |
| Bowl: | PET |
| Wrench: | ABS |
| Filtering support: | PP + 20% GF |
| Seals: | O-ring butadiene-acrylonitrile (NBR) |
| Centrifugal vane + cap: | Polypropylene (PP) + elastomer (2K) |
| Air drain screw: | Polyamide (PA) + polyester (2K) |
| Filtering sleeve: | Polyester (non-washable) or nylon (washable) |
| Filtration surface (cm²): | 770 |
| Original equipment: | Filtering sleeve 25 µm, wrench, drain-cock ½ " nickel-plated brass, 2 pressure gauges with glycerine 0-20 bar ¼ " brass + 2 connections 1 ¼" |
| Option: | Stainless steel wall fixation 2 mm |
| Filtering fineness available (µm): | Non-washable : 1 - 5 - 10 - 25 - 50 - 100 |
| (packs of 5 sleeves) | Washable : 150 - 300 |



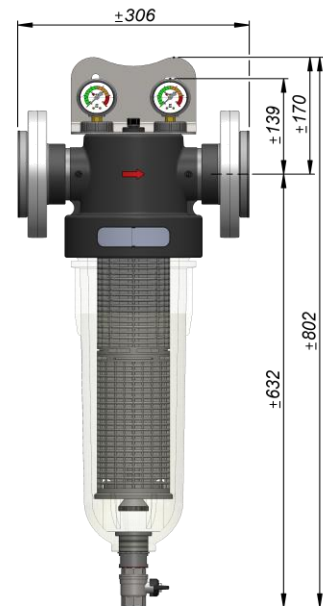
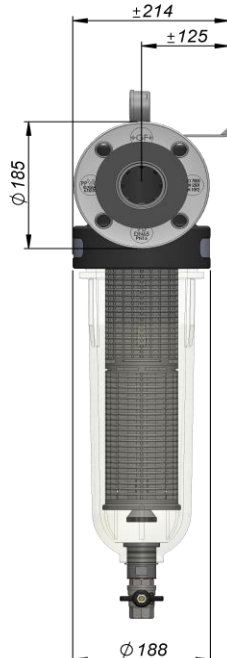
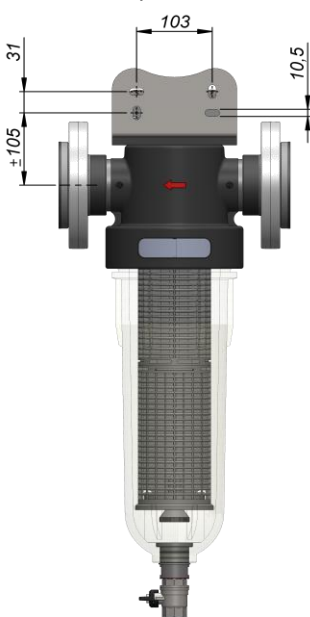
| | |
|------------------------------------|--|
| Filter type: | NW400 |
| Connection diameter: | 1 ½" |
| Average flow rate (m³/h): | 12 at ΔP 0,2 bar |
| Working pressure (bar): | 10 |
| Max. operating pressure (bar): | 16 |
| Max. operating temperature (°C): | 50 |
| Weight (kg): | 2,88 / 3,47 (with packaging) |
| Packaging in mm (L x W x H): | 656 x 180 x 180 |
| Quantity / pallet (units): | 49 |
| Filter head: | Polypropylene (PP) + 20% GF |
| Connections: | PA |
| Nuts: | PP + 20% GF |
| Bowl: | PET |
| Wrench: | ABS |
| Filtering support: | PP + 20% GF |
| Seals: | O-ring butadiene-acrylonitrile (NBR) |
| Centrifugal vane + cap: | Polypropylene (PP) + elastomer (2K) |
| Air drain screw: | Polyamide (PA) + polyester (2K) |
| Filtering sleeve: | Polyester (non-washable) or nylon (washable) |
| Filtration surface (cm²): | 1010 |
| Original equipment: | Filtering sleeve 25 µm, wrench, drain-cock ½" nickel-plated brass, 2 pressure gauges with glycerine 0-20 bar ¼" brass + 2 connections 1 ½" |
| Option: | Stainless steel wall fixation 2 mm |
| Filtering fineness available (µm): | Non-washable : 1 - 5 - 10 - 25 - 50 - 100 |
| (packs of 5 sleeves) | Washable : 150 - 300 |



| | |
|--|--|
| Filter type: | NW500 |
| Connexion diameter: | 2" |
| Average flow rate (m ³ /h): | 18 at ΔP 0,2 bar |
| Working pressure (bar): | 10 |
| Max. operating pressure (bar): | 16 |
| Max. operating temperature (°C): | 50 |
| Weight (kg): | 6,4 / 8 (with packaging) |
| Packaging in mm (L x W x H): | 770 x 320 x 240 |
| Quantity / pallet (units): | 21 |
| Air drain screw: | Polyamide (PA) + polyester (2K) |
| Filter head: | Polypropylene (PP) + 20% GF |
| Bowl: | SAN |
| Wrench: | ABS |
| Connections: | PA |
| Nuts: | PP + 20% GF |
| Seals: | O-ring butadiene-acrylonitrile (NBR) |
| Centrifugal vane + cap: | Polypropylene (PP) + 20% GF + elastomer (2K) |
| Filtering support: | PP + 20% GF |
| Valve adapter: | PA |
| Filtering sleeve: | Polyester (non-washable) or nylon (washable) |
| Filtration surface (cm ²): | 1288 |
| Original equipment: | Filtering sleeve 25 μm, wrench, drain-cock ¾ " nickel-plated brass, 2 pressure gauges with glycerine 0-20 bar ¼ " brass + 2 connections 2" |
| Option: | Stainless steel wall fixation 3 mm |
| Filtering fineness available (μm): | Non-washable : 1 - 5 - 10 - 25 - 50 - 100 |
| (packs of 5 sleeves) | Washable : 150 - 300 |

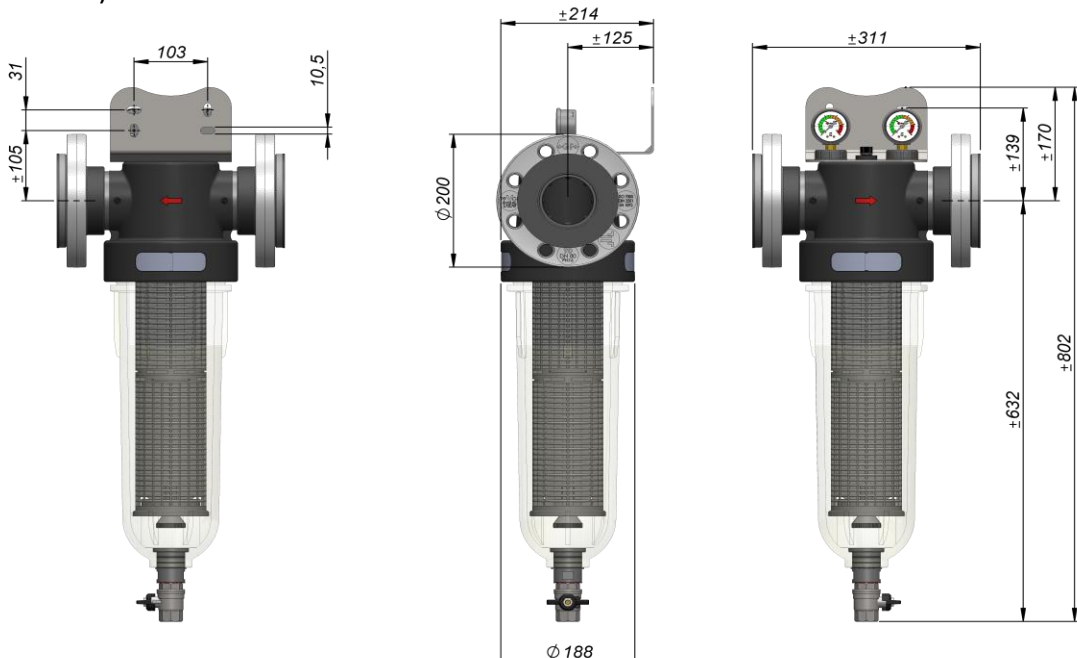


| | |
|------------------------------------|--|
| Filter type: | NW650 |
| Connection diameter: | 2 ½" |
| Average flow rate (m³/h): | 25 at ΔP 0,2 bar |
| Working pressure (bar): | 10 |
| Max. operating pressure (bar): | 16 |
| Max. operating temperature (°C): | 50 |
| Weight (kg): | 7 / 8,6 (with packaging) |
| Packaging in mm (L x W x H): | 770 x 320 x 240 |
| Quantity / pallet (units): | 21 |
| Air drain screw: | Polyamide (PA) + polyester (2K) |
| Filter head: | Polypropylene (PP) + fiberglass |
| Bowl: | SAN |
| Wrench: | ABS |
| Collar: | PA |
| Flanges: | PP + 30% GF |
| Seals: | O-ring butadiene-acrylonitrile (NBR) |
| Centrifugal vane + cap: | Polypropylene (PP) + 20% GF + elastomer (2K) |
| Filtering support: | PP + 20% GF |
| Valve adaptor: | PA |
| Filtering sleeve: | Polyester (non-washable) or nylon (washable) |
| Filtration surface (cm²): | 1288 |
| Original equipment: | Filtering sleeve 25 µm, wrench, drain-cock ¾" nickel-plated brass, 2 pressure gauges with glycerine 0-20 bar ¼" brass + 2 loose flanges 2 ½" |
| Option: | Stainless steel wall fixation 3mm |
| Filtering fineness available (µm): | Non-washable : 1 - 5 - 10 - 25 - 50 - 100 |
| (packs of 5 sleeves) | Washable : 150 - 300 |

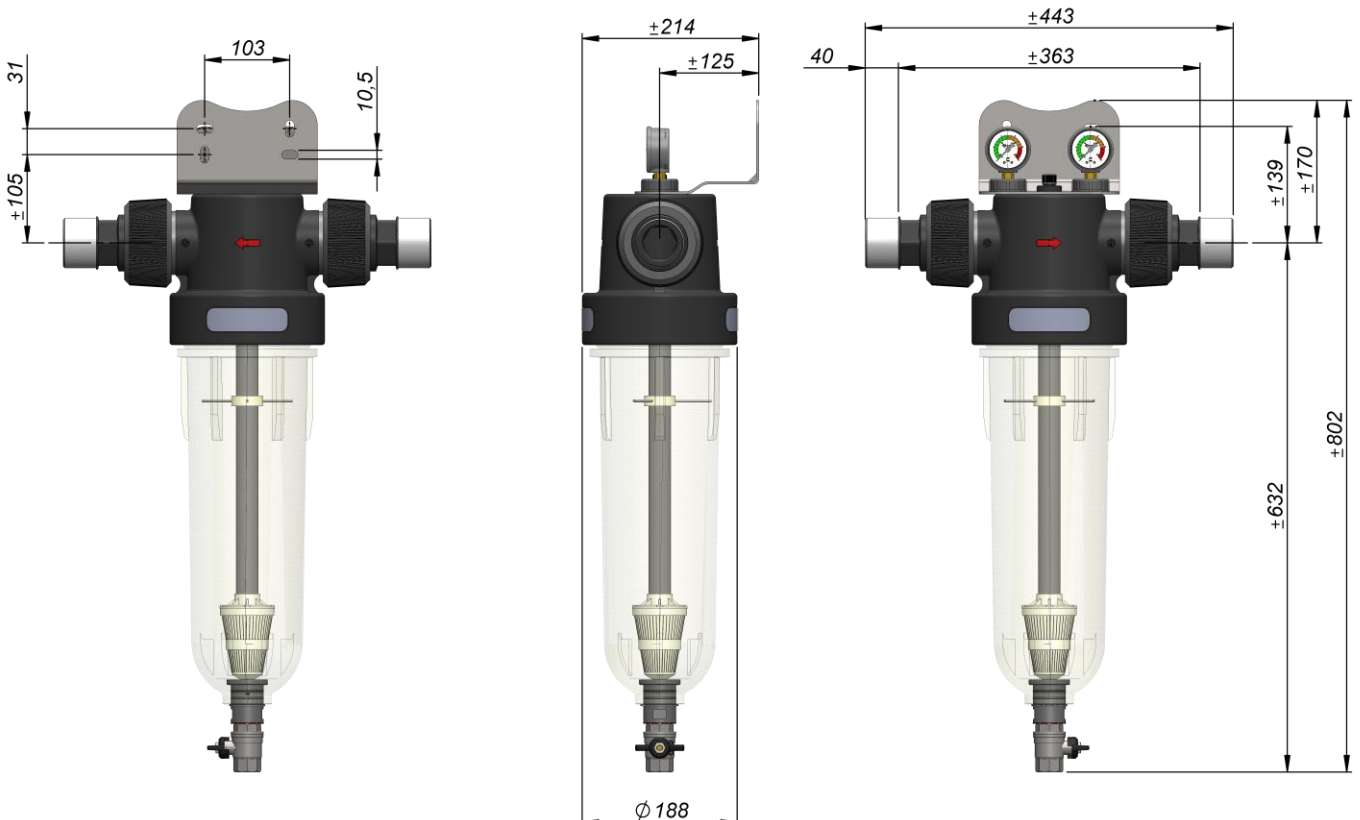




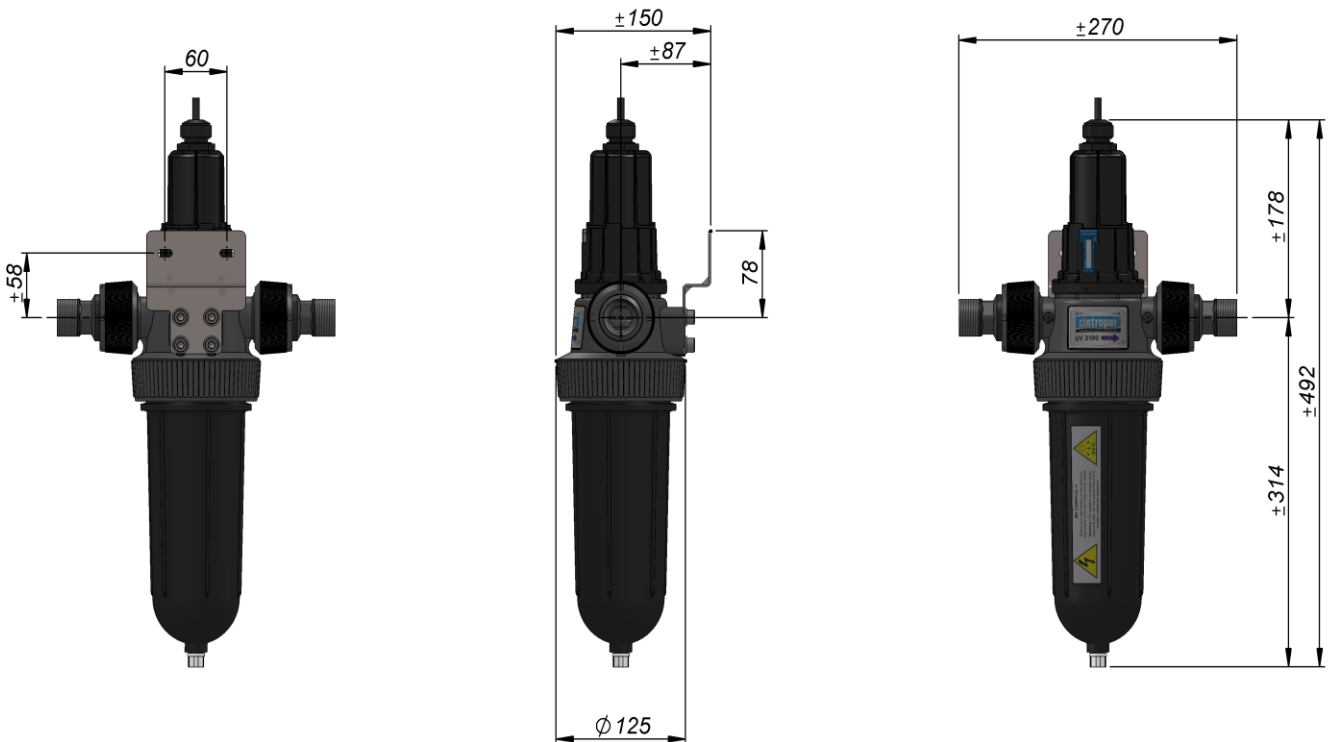
| | |
|--|--|
| Filter type: | NW800 |
| Connection diameter: | 3" |
| Average flow rate (m ³ /h): | 32 at ΔP 0,2 bar |
| Working pressure (bar): | 10 |
| Max. operating pressure (bar): | 16 |
| Max. operating temperature (°C): | 50 |
| Weight (kg): | 7,4 / 9 (with packaging) |
| Packaging in mm (L x W x H): | 770 x 320 x 240 |
| Quantity / pallet (units): | 21 |
| Air drain screw: | Polyamide (PA) + polyester (2K) |
| Filter head: | Polypropylene (PP) + 20% GF |
| Bowl: | SAN |
| Wrench: | ABS |
| Collar: | PA |
| Flanges: | PP + 30% GF |
| Seals: | O-ring butadiene-acrylonitrile (NBR) |
| Centrifugal vane + cap: | Polypropylene (PP) + 20% GF + elastomer (2K) |
| Filtering support: | PP + 20% GF |
| Valve adaptor : | PA |
| Filtering sleeve: | Polyester (non-washable) or nylon (washable) |
| Filtration surface (cm ²): | 1288 |
| Original equipment: | Filtering sleeve 25 μm, wrench, drain-cock ¾ " nickel-plated brass, 2 pressure gauges with glycerine 0-20 bar ¼ " brass + 2 loose flanges 3" |
| Option: | Stainless steel wall fixation 3 mm |
| Filtering fineness available (μm): | Non-washable : 1 - 5 - 10 - 25 - 50 - 100 |
| (packs of 5 sleeves) | Washable : 150 - 300 |



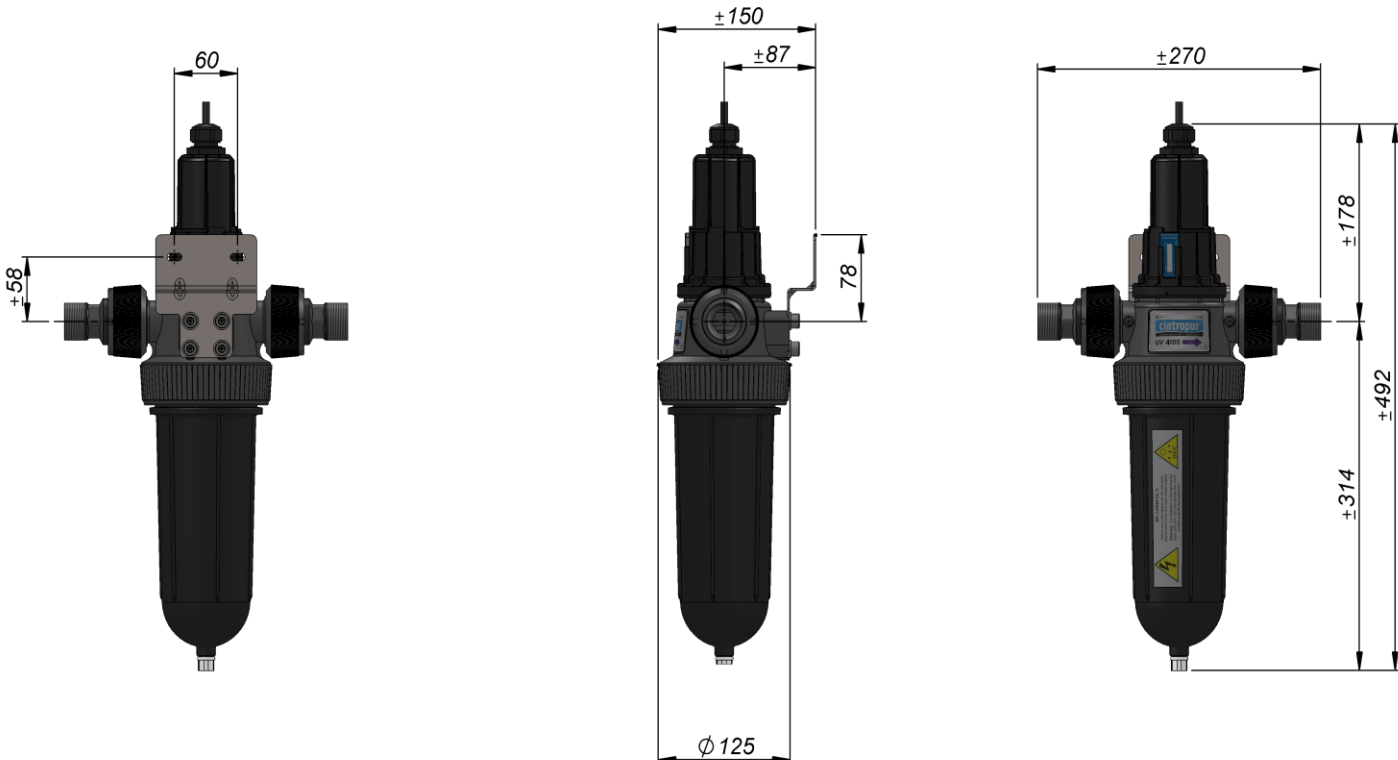
| | |
|--|---|
| Filter type: | NW500TE |
| Connection diameter: | 2" |
| Average flow rate (m ³ /h): | 2 at ΔP 0,2 bar |
| Working pressure (bar): | 10 |
| Max. operating pressure (bar): | 16 |
| Max. operating temperature (°C): | 50 |
| Weight (kg): | 5,6 / 7,2 (with packaging) |
| Packaging in mm (L x W x H): | 770 x 320 x 240 |
| Quantity / pallet (units): | 21 |
| Air drain screw: | Polyamide (PA) + polyester (2K) |
| Filter head: | Polypropylene (PP) + 20% GF |
| Bowl: | SAN |
| Wrench: | ABS |
| Connections: | PA |
| Nuts: | PP + 20% GF |
| Seals: | O-ring butadiene-acrylonitrile (NBR) |
| Valve adaptor: | PA |
| Bowl capacity (litres): | 4,85 |
| Tube + strainer: | Perforated plate – inlet 1,1 mm & strainer – inlet 0,5 mm |
| Original equipment: | Tube + strainer, wrench, 2 connections 2" |
| Option: | Stainless steel wall fixation 3 mm |



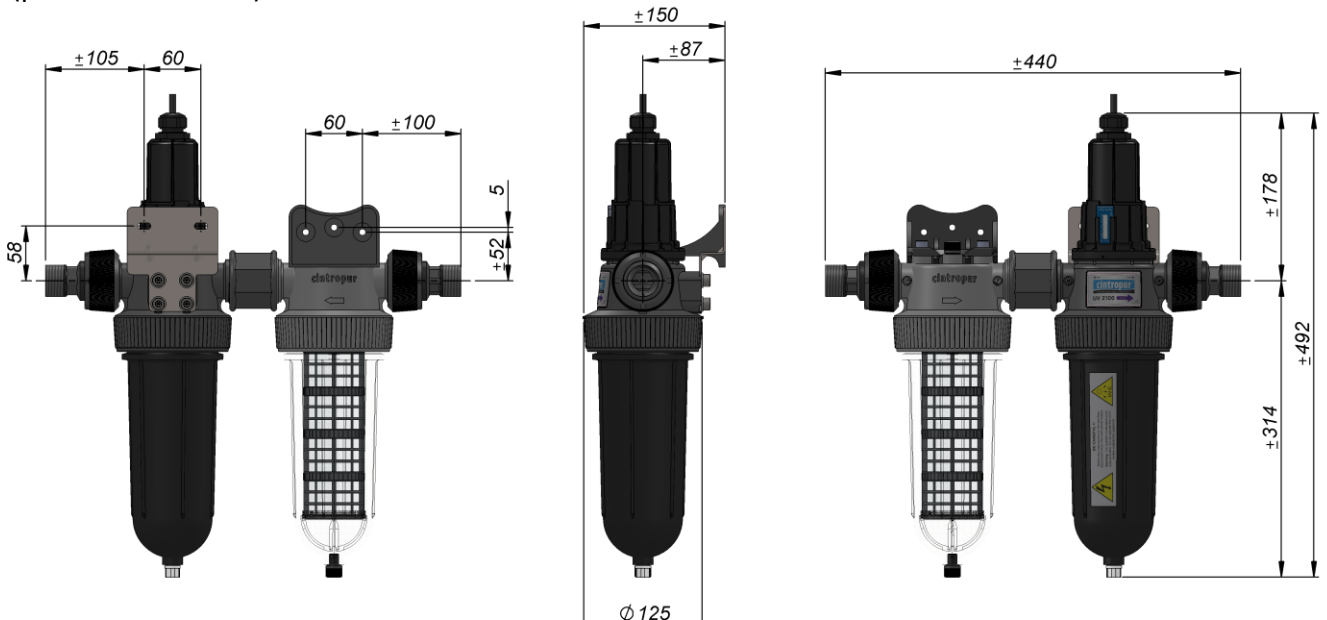
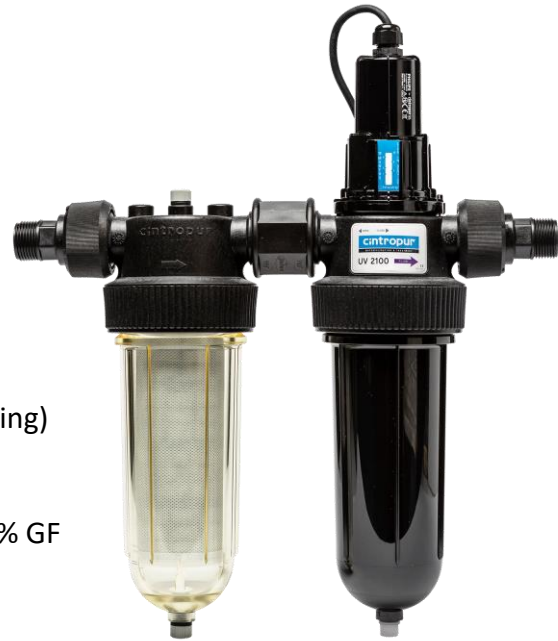
| | |
|-----------------------------------|--|
| Filter type: | UV 2100 |
| Connection diameter: | ¾" and 1" |
| Advised flow (m³/h) at 25 mJ/cm²: | 1,7 |
| Advised flow (m³/h) at 40 mJ/cm²: | 1,1 |
| Working pressure (bar): | 10 |
| Max. operating pressure (bar): | 16 |
| Max. operating temperature (°C): | 50 |
| Weight (kg): | 2,24 / 2,98 (with packaging) |
| Packaging in mm (L x W x H): | 520 x 255 x 140 |
| Quantity / pallet (units): | 54 |
| Filter head: | Polypropylene (PP) + 20% GF |
| Black bowl: | PET, coloured |
| Wrench: | ABS |
| Seal bowl/head: | O-ring butadiene-acrylonitrile (NBR) |
| Drain screw (under UV): | PVDF |
| UV-C lamp: | 25W with security micro-switch |
| UV treatment chamber: | 316 L stainless steel |
| Original equipment: | 1 UV-C 25W lamp, 1 wrench, 1 stainless steel wall fixation + 2 connections ¾" + 2 connections 1" |



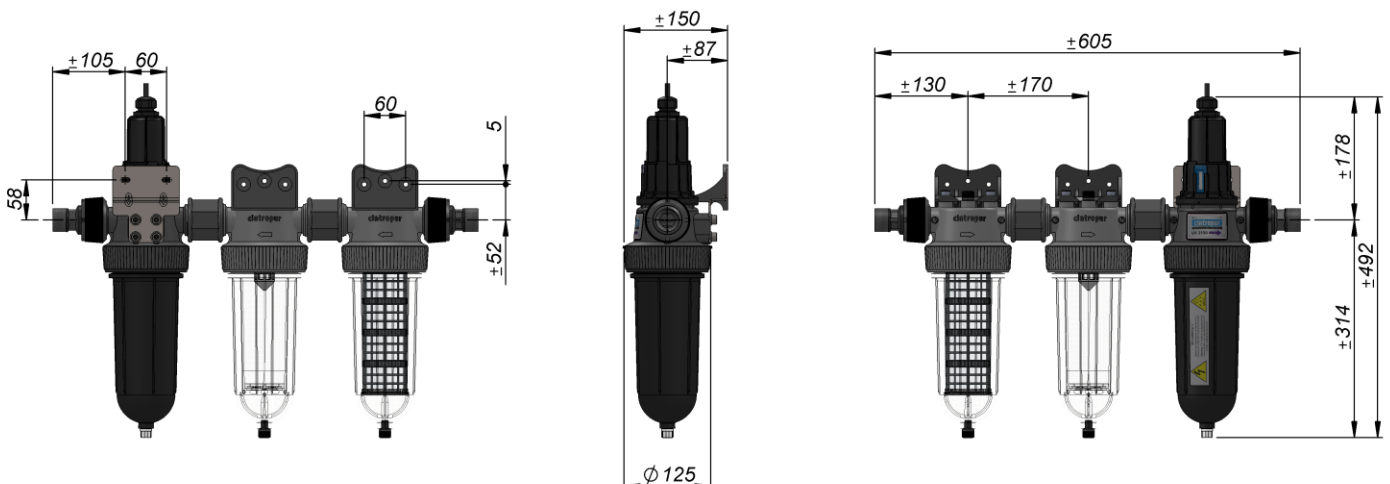
| | |
|-----------------------------------|--|
| Filter type: | UV 4100 |
| Connection diameter: | ¾" and 1" |
| Advised flow (m³/h) at 25 mJ/cm²: | 2,1 |
| Advised flow (m³/h) at 40 mJ/cm²: | 1,3 |
| Working pressure(bar): | 10 |
| Max. operating pressure (bar): | 16 |
| Max. operating temperature (°C): | 50 |
| Weight (kg): | 2,24 / 2,98 (with packaging) |
| Packaging in mm (L x W x H): | 520 x 255 x 140 |
| Quantity / pallet (units): | 54 |
| Filter head: | Polypropylene (PP) + 20% GF |
| Black bowl: | PET, coloured |
| Wrench: | ABS |
| Seal bowl/head: | O-ring butadiene-acrylonitrile (NBR) |
| Drain screw under UV: | PVDF |
| UV-C lamp: | 40W with security micro-switch |
| UV treatment chamber: | 316 L stainless steel |
| Original equipment: | 1 UV-C 40W lamp, 1 wrench, 1 stainless steel wall fixation + 2 connections ¾" + 2 connections 1" |




| | |
|------------------------------------|---|
| Filter type: | DUO-UV |
| Connection diameter: | ¾" and 1" |
| Advised flow (m³/h) at 25 mJ/cm²: | 1,7 |
| Advised flow (m³/h) at 40 mJ/cm²: | 1,1 |
| Working pressure (bar): | 10 |
| Max. operating pressure (bar): | 16 |
| Max. operating temperature (°C): | 50 |
| Weight (kg): | 3,05 / 4,70 (with packaging) |
| Packaging in mm (L x W x H): | 525 x 470 x 140 |
| Quantity / pallet (units): | 33 |
| Filter head: | Polypropylene (PP) + 20% GF |
| Transparent bowl: | SAN |
| Black bowl: | PET, coloured |
| Wrench: | ABS |
| Bowl seals: | O-ring butadiene-acrylonitrile (NBR) |
| Centrifugal vane + cap: | Polyethylene (PE) |
| Air drain screw: | Polyamide (PA) + Polyester (2K) |
| Drain screw under UV: | PVDF |
| Filtering support: | PP + 20% GF |
| Filtering sleeve: | Polyester (non-washable) or nylon (washable) |
| Filtration surface: | 440 cm² with screen |
| UV-C lamp: | 25W with security micro-switch |
| UV treatment chamber: | 316 L stainless steel |
| Original equipment: | Filtering sleeve 25 µm, 1 UV-C 25W lamp, 1 wrench, 1 stainless steel wall fixation + 1 wall fixation made of PP + 2 connections ¾" + 2 connections 1" |
| Options: | drain cock ¼" nickel-plated brass, brass gauges 1/8" |
| Filtering fineness available (µm): | Non-washable : 1 - 5 - 10 - 25 - 50 - 100 |
| (packs of 5 sleeves) | Washable : 150 - 300 |



| | |
|-------------------------------------|--|
| Filter type: | TRIO-UV 25W |
| Connection diameter: | ¾" and 1" |
| Advised flow (m³/h) at 25 mJ/cm²: | 2 |
| Advised flow (m³/h) at 40 mJ/cm²: | 1,3 |
| Working pressure (bar): | 10 |
| Max. operating pressure (bar): | 16 |
| Max. operating temperature (°C): | 50 |
| Weight (kg): | 4,85 / 6,25 (with packaging) |
| Packaging in mm (L x W x H): | 525 x 470 x 140 |
| Quantity / pallet (units): | 33 |
| Filter head: | Polypropylene (PP) + 20% GF |
| Transparent bowl: | SAN |
| Black bowl: | PET, coloured |
| Wrench: | ABS |
| Bowl seals: | O-ring butadiene-acrylonitrile (NBR) |
| Centrifugal vane + cap: | Polyethylene (PE) |
| Air drain screw: | Polyamide (PA) + Polyester (2K) |
| Drain screw under UV : | PVDF |
| Filtering support: | PP + 20% GF |
| Filtering sleeve: | Polyester (non-washable) or nylon (washable) |
| CTN container for activated carbon: | SAN (body) 0,6 mm + PP with 20% GF (cap) 0,3mm |
| Filtration surface / volume: | 440 cm² with screen + 0,57 L activated carbon |
| UV-C lamp: | 25W with security micro-switch |
| UV treatment chamber: | 316L stainless steel |
| Original equipment: | Filtering sleeve 25 µm, CTN filled with activated carbon, 1UV-C 25W lamp, 1 wrench, 2 wall fixations made of PP + 30% GF + 1 stainless steel wall fixation + 2 connections ¾" + 2 connections 1" |
| Options: | |
| Filtering fineness available (µm): | Non-washable : 1 - 5 - 10 - 25 - 50 - 100 |
| (packs of 5 sleeves): | Washable : 150 - 300 |



| | | |
|-------------------------------------|---|--|
| Filter type: | TRIO-UV 40W |  |
| Connection diameter: | ¾" and 1" | |
| Advised flow (m³/h) at 25 mJ/cm²: | 2,6 | |
| Advised flow (m³/h) at 40 mJ/cm²: | 1,6 | |
| Working pressure (bar): | 10 | |
| Max. operating pressure (bar): | 16 | |
| Max. operating temperature (°C): | 50 | |
| Weight (kg): | 4,85 / 6,25 (with packaging) | |
| Packaging in mm (L x W x H): | 525 x 470 x 140 | |
| Quantity / pallet (units): | 33 | |
| Filter head: | Polypropylene (PP) + 20% GF | |
| Transparent bowl: | SAN | |
| Black bowl: | PET, coloured | |
| Wrench: | ABS | |
| Bowl seals: | O-ring butadiene-acrylonitrile (NBR) | |
| Centrifugal vane + cap: | Polyethylene (PE) | |
| Air drain screw: | Polyamide (PA) + Polyester (2K) | |
| Drain screw under UV: | PVDF | |
| Filtering support: | PP + 20% GF | |
| Filtering sleeve: | Polyester (non-washable) or nylon (washable) | |
| CTN container for activated carbon: | SAN (body) 0,6 mm + PP avec 20% GF (cap) 0,3mm | |
| Filtration surface / volume: | 440 cm² with screen + 0,57 L activated carbon | |
| UV-C lamp: | 40W with security micro-switch | |
| UV treatment chamber: | 316 L stainless steel | |
| Original equipment: | Filtering sleeve 25 µm, CTN filled with activated carbon, 1 UV-C 40W lamp, 1 wrench, 2 wall fixations made of PP + 30% GF + 1 stainless steel wall fixation + 2 connections ¾" + 2 connections 1" | |
| Options: | drain clock ¾" nickel-plated brass, brass gauges 1/8" | |
| Filtering fineness available (µm): | Non-washable : 1 - 5 - 10 - 25 - 50 - 100 | |
| (packs of 5 sleeves) | Washable : 150 - 300 | |

